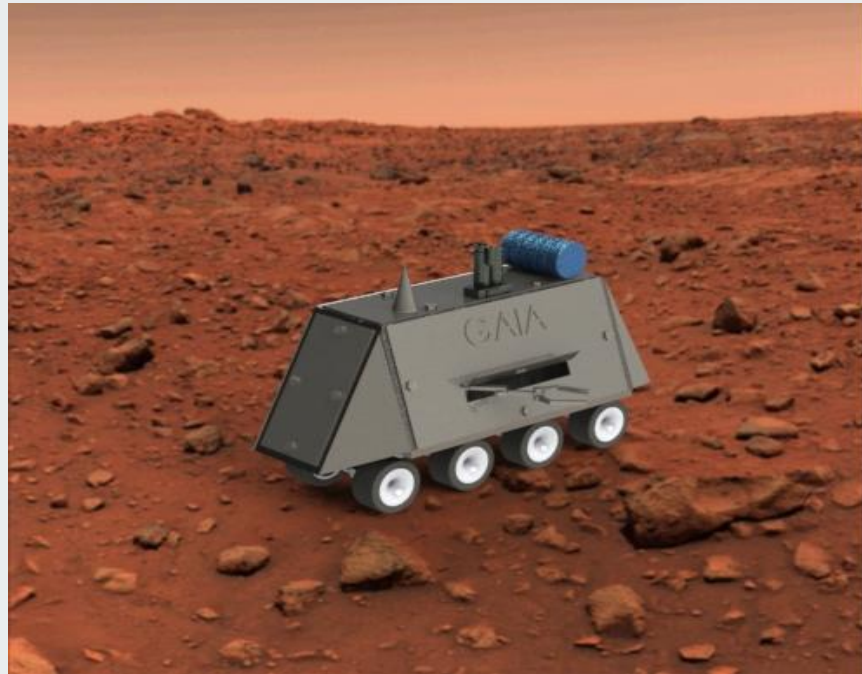


GAIA

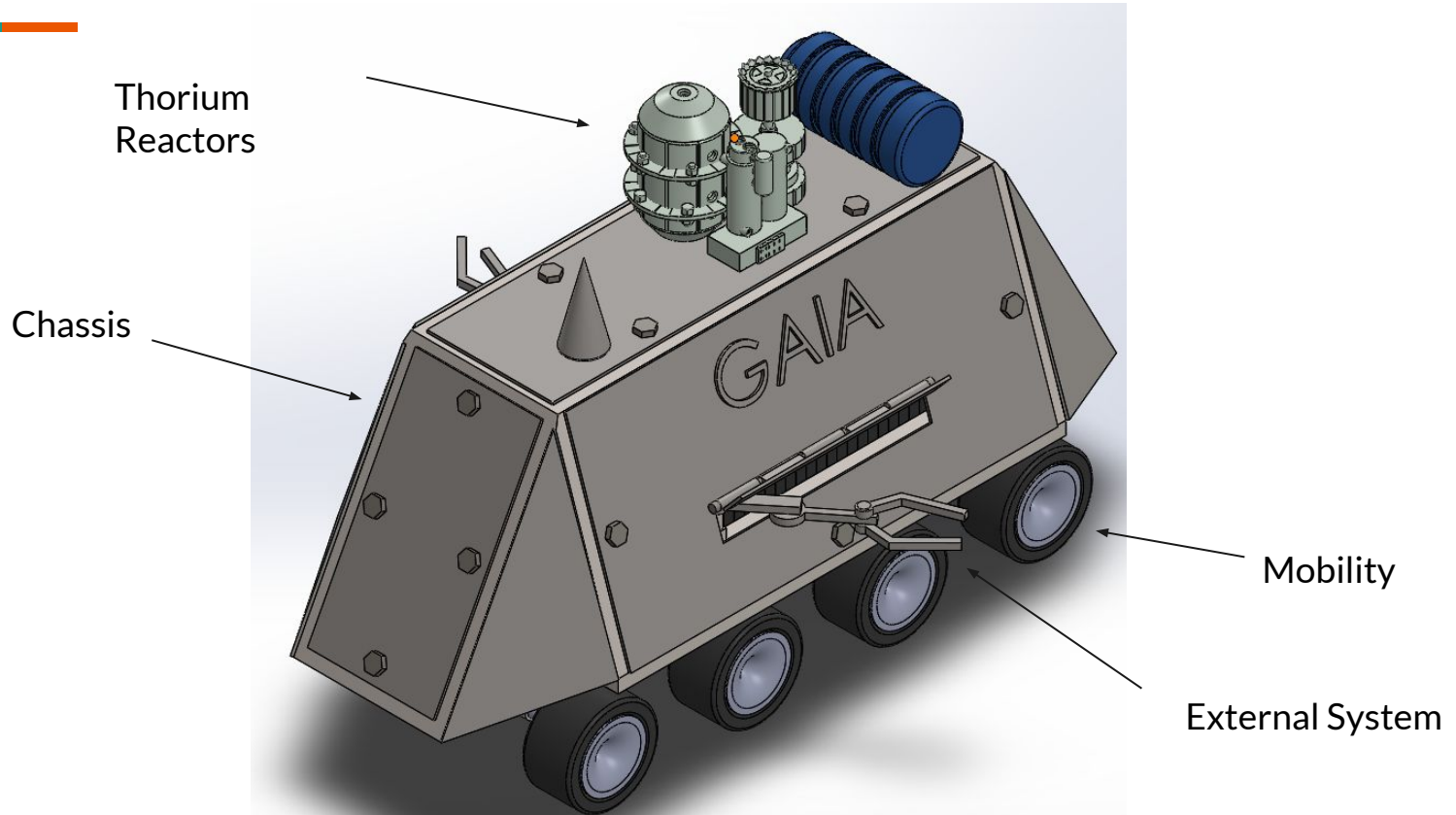
General Acclimation to Inhospitable Atmospheres

ME 1770 - Section H

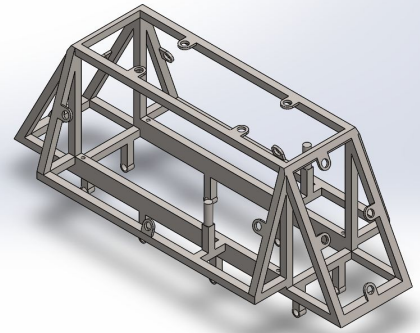
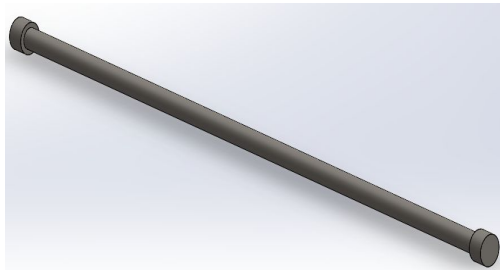
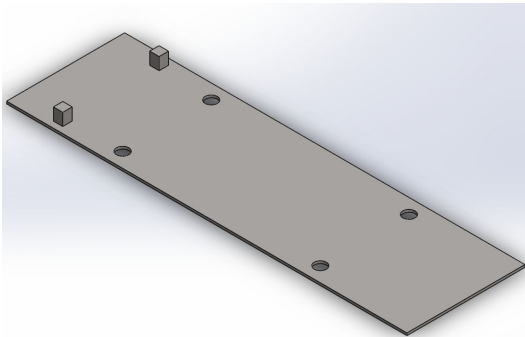
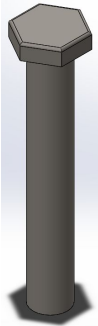
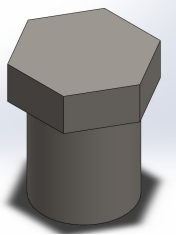
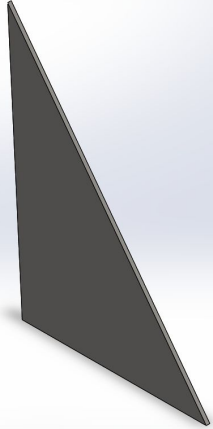
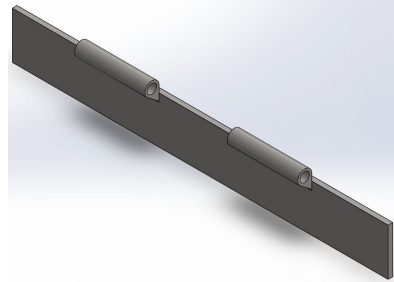
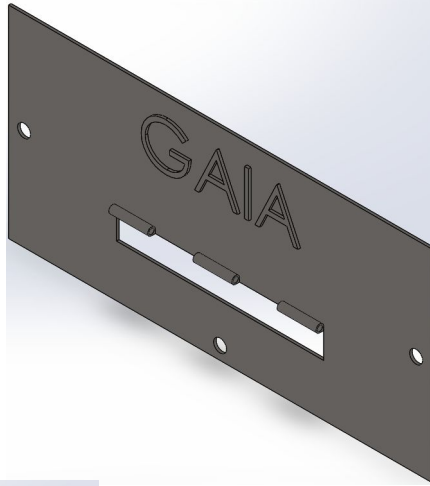
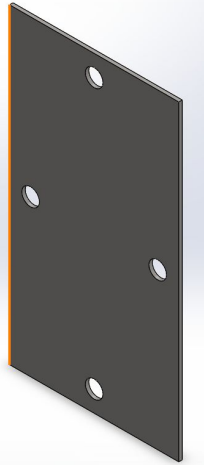
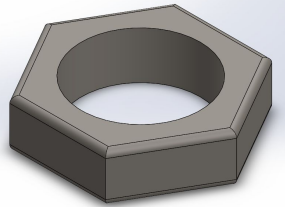
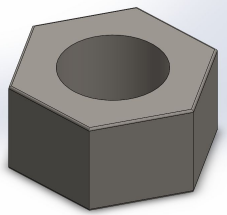
Matt Altis
Tithi Mandal
Tyler Linder
William Parsons
John Baute



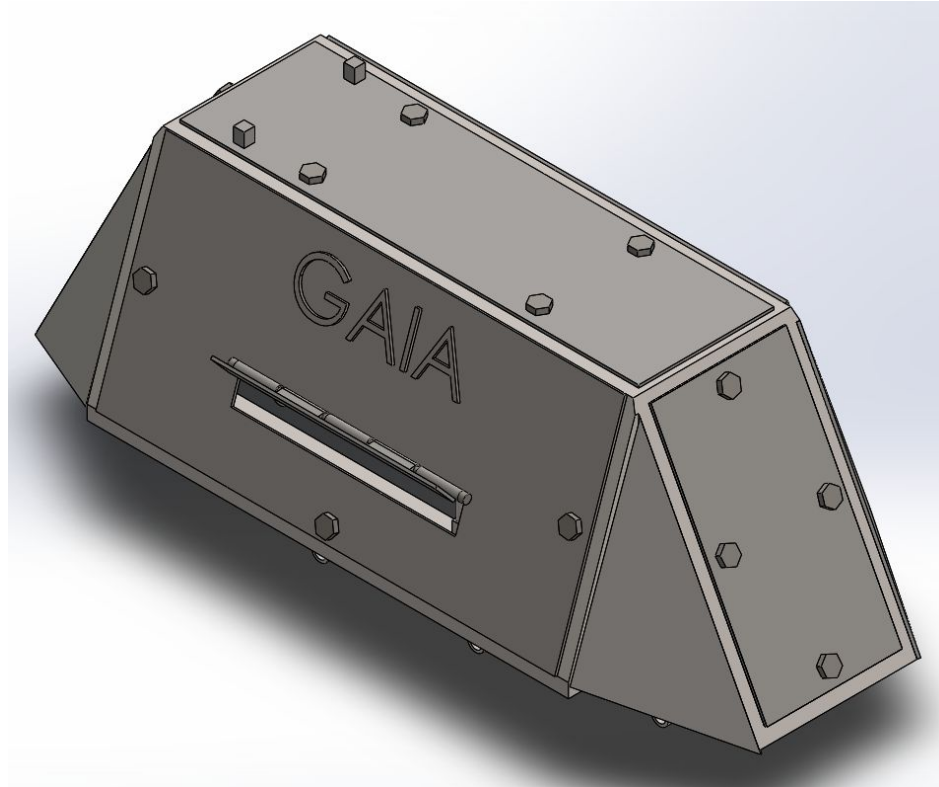
Full Assembly With Labeled Subassemblies



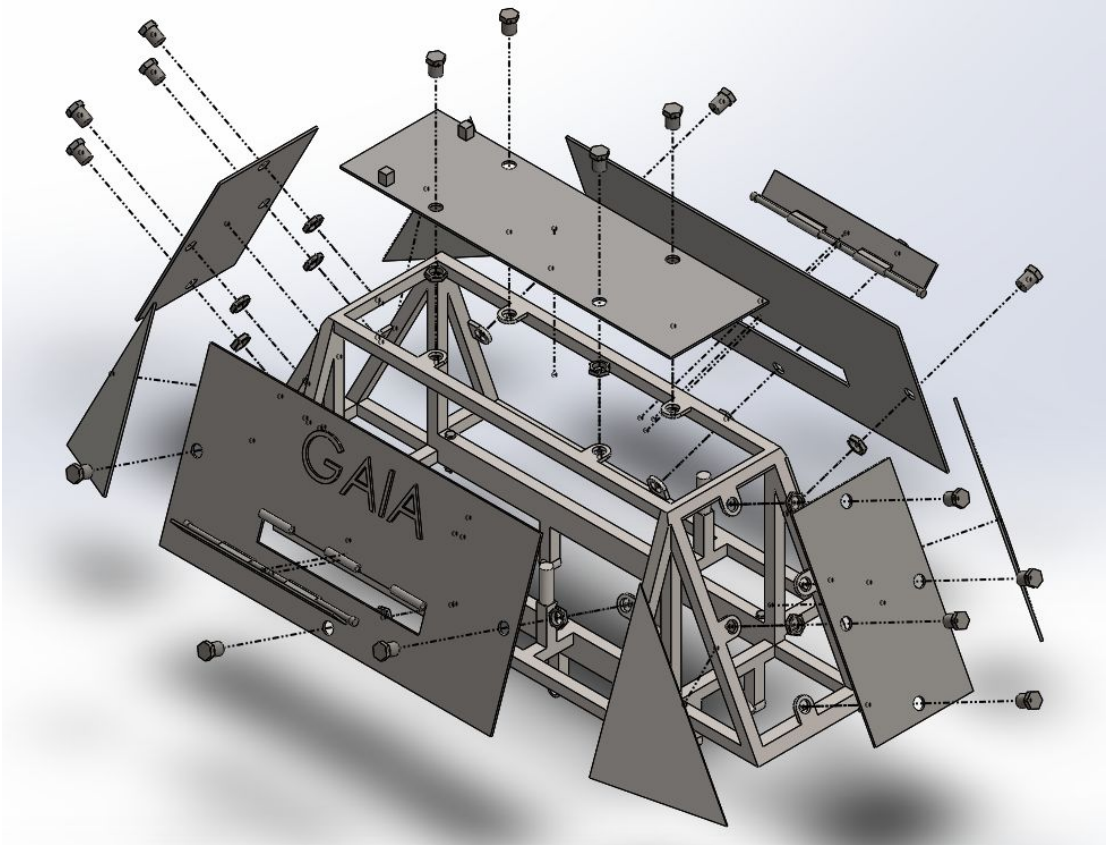
Parts - Chassis/Structure



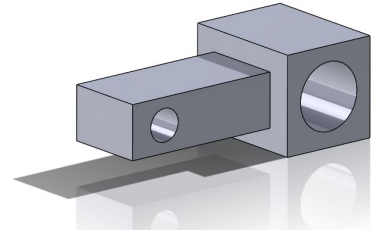
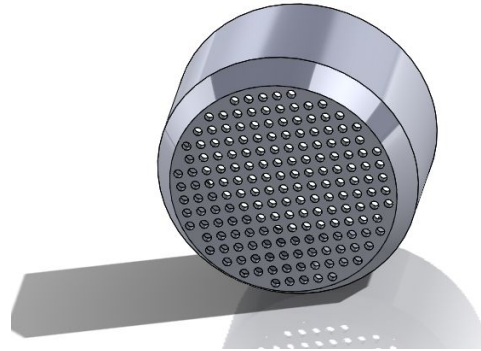
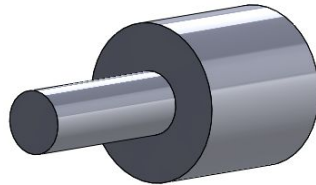
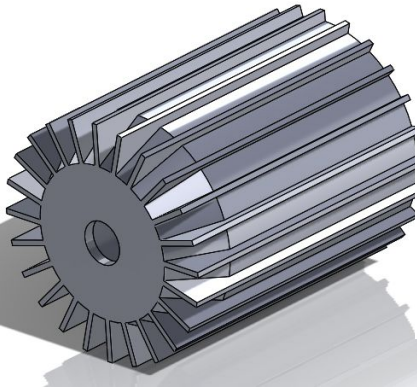
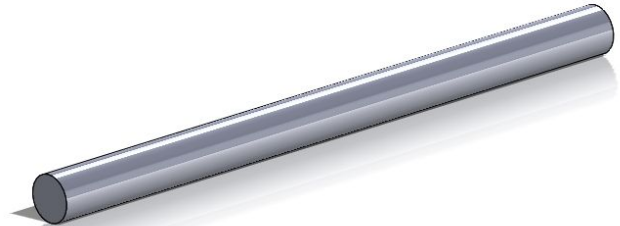
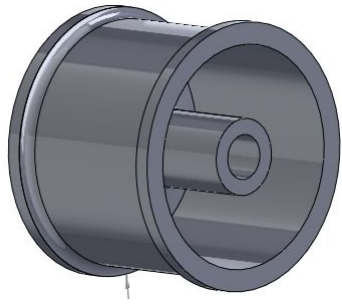
Sub Assembly



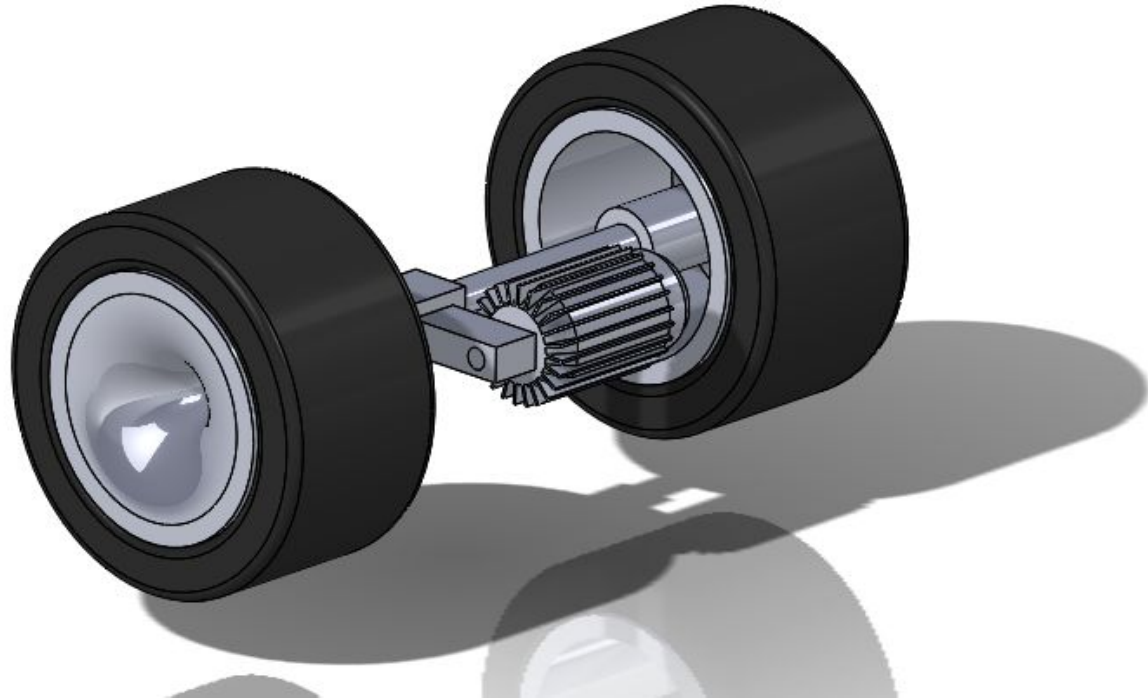
Exploded View



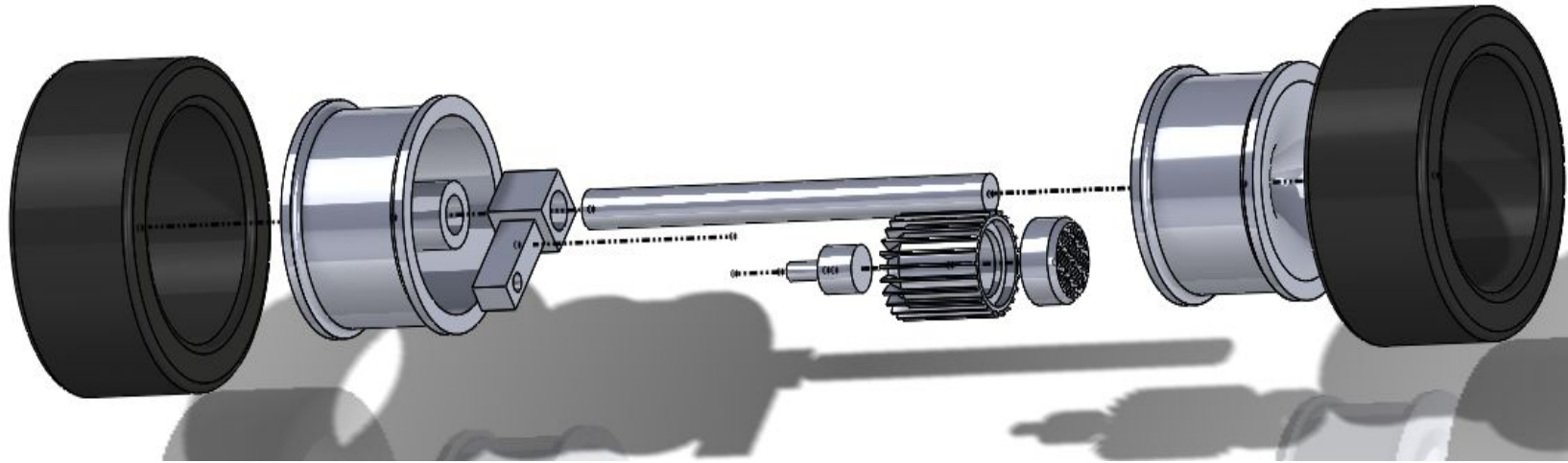
Parts - Mobility Systems



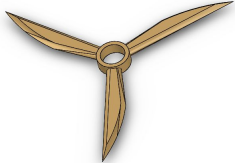
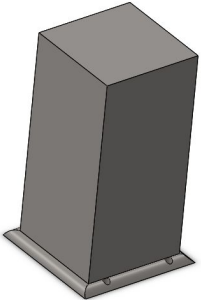
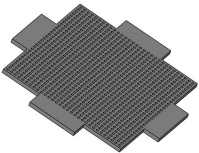
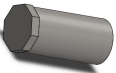
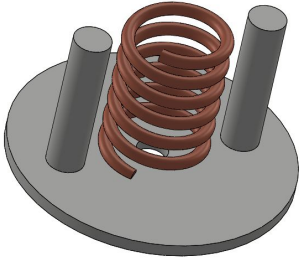
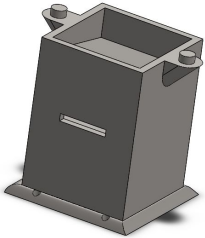
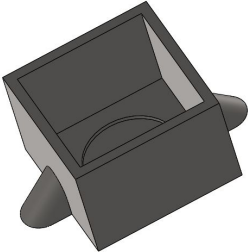
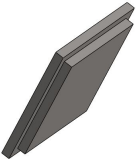
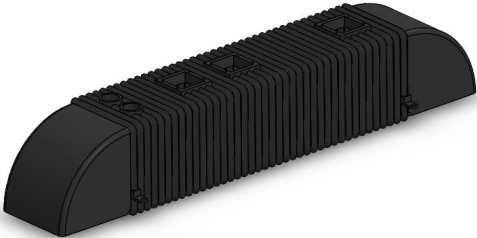
Sub Assembly



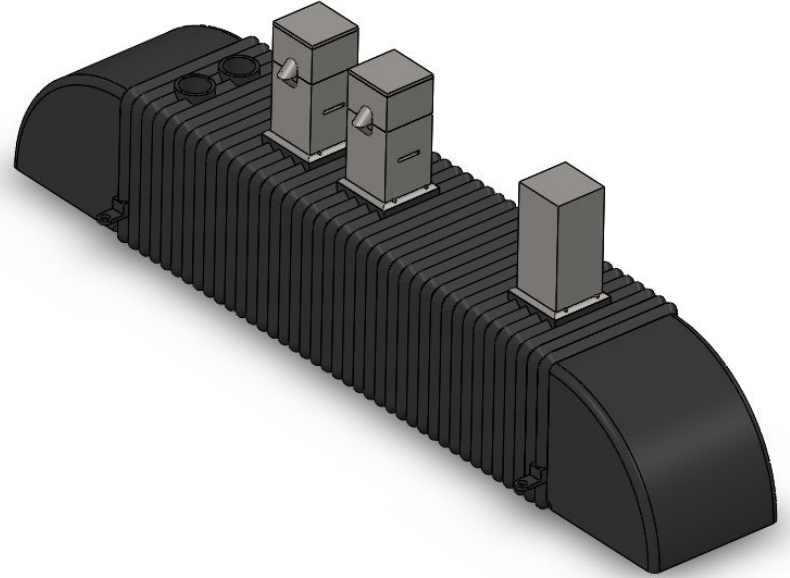
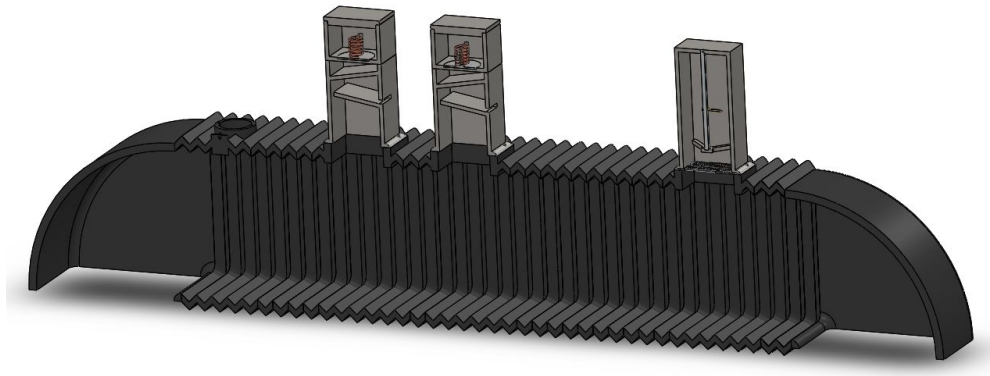
Exploded View



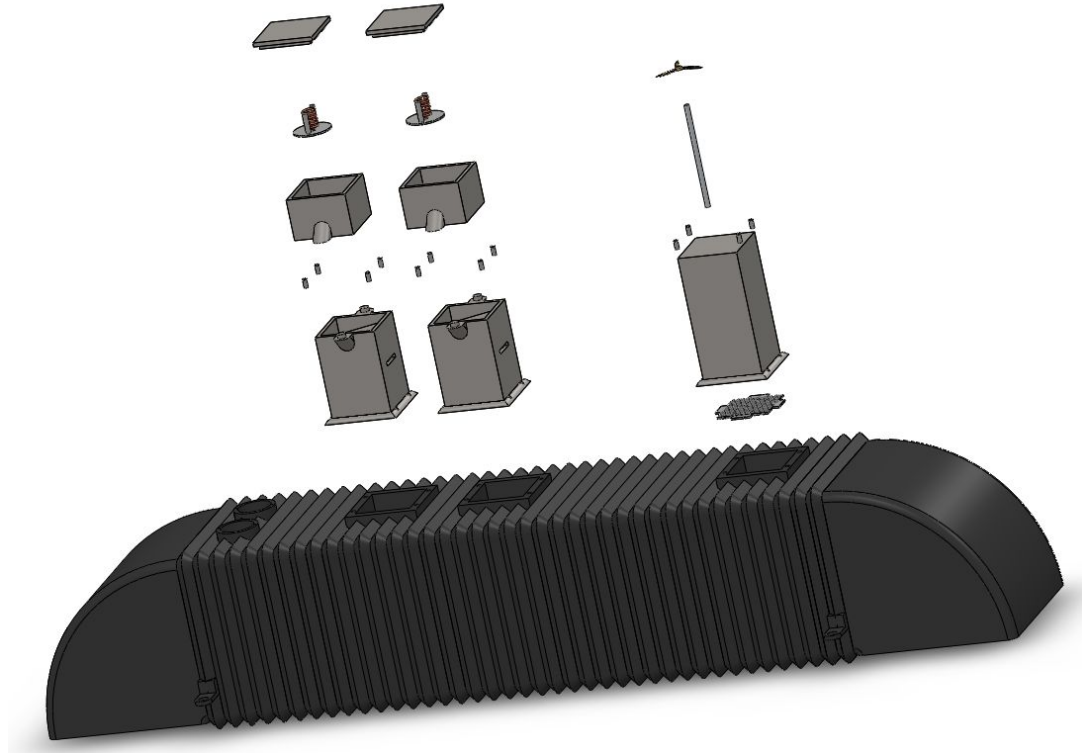
Parts - Internal Systems



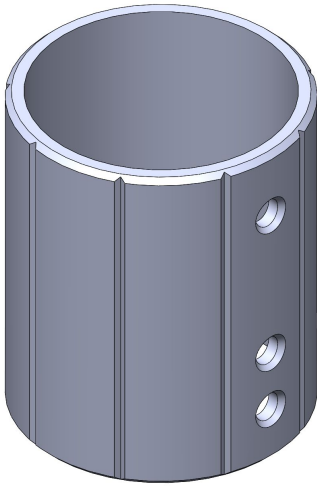
Sub Assembly



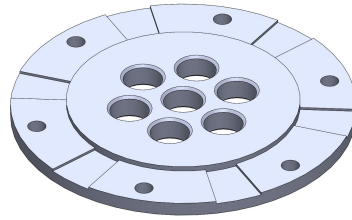
Exploded View



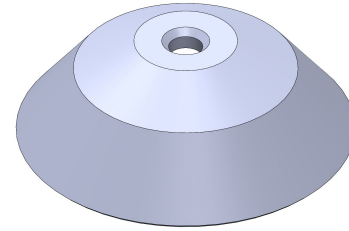
Parts - Thorium Reactors (Reactor Capsule)



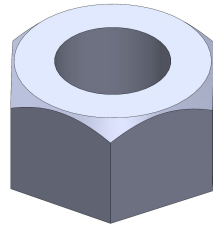
Capsule Body



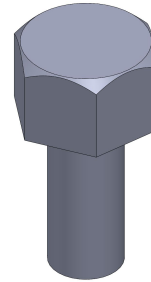
Core Plate



End Cap



Nut

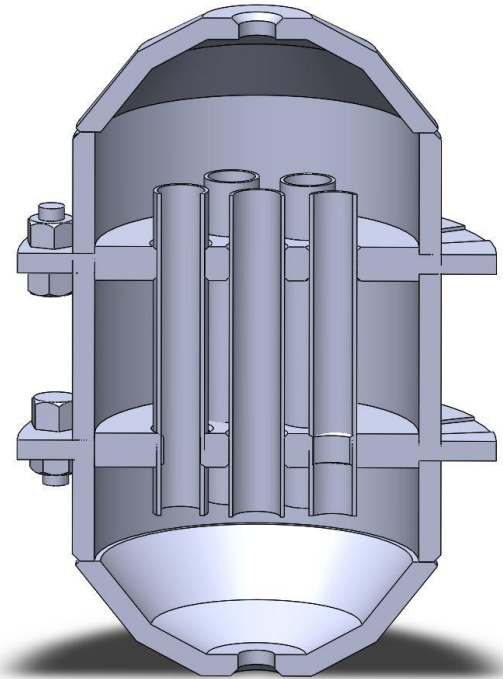
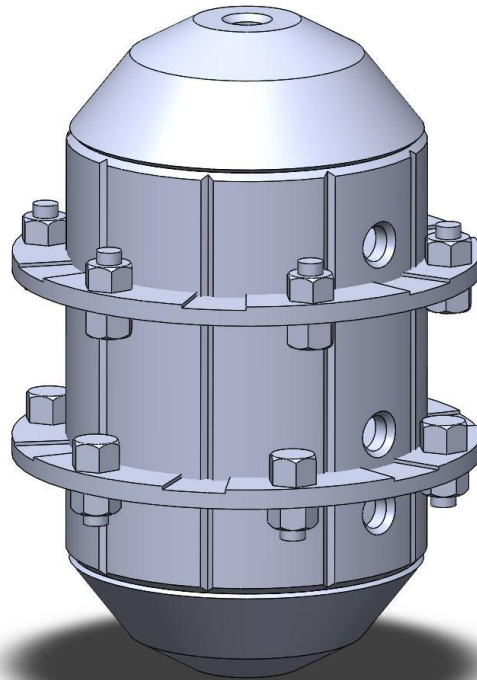


Bolt

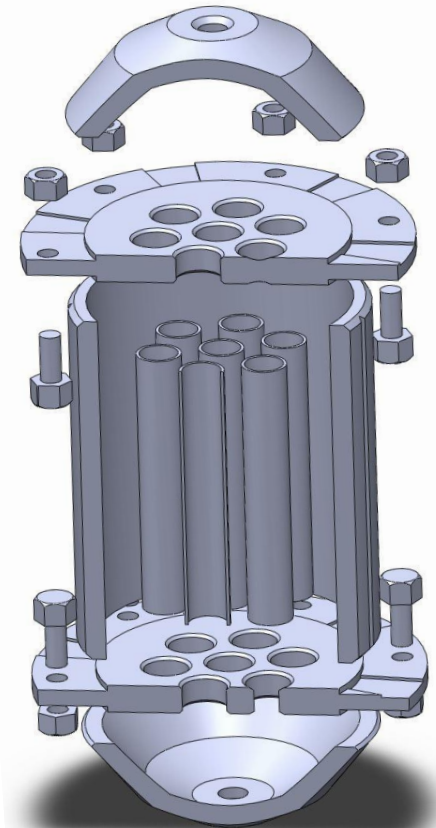
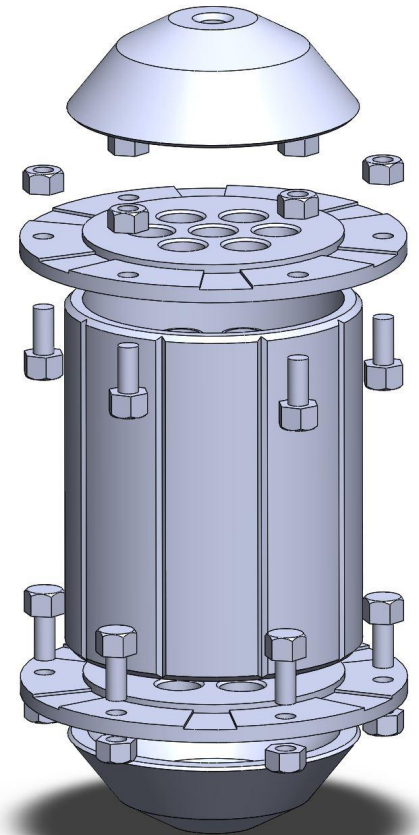


Core

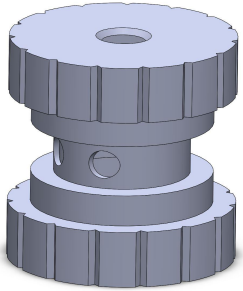
Sub Assembly



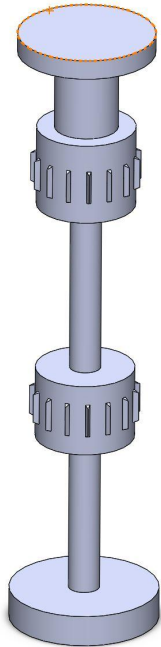
Exploded View



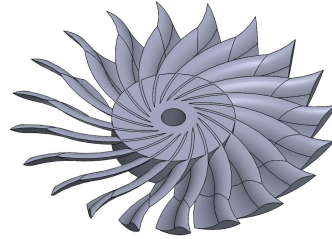
Parts - Thorium Reactor (Turbine and Compressor)



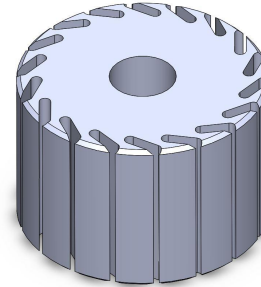
Casing



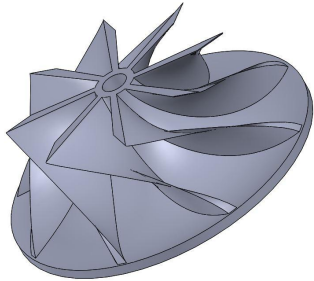
Turbine Axle



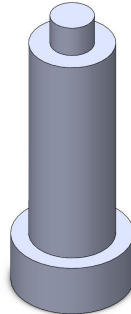
Turbine Fan



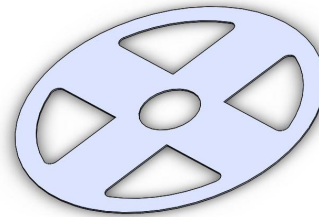
Generator Rotor



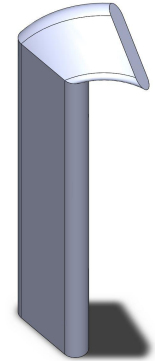
Centrifugal
Compressor Fan



Generator Shaft

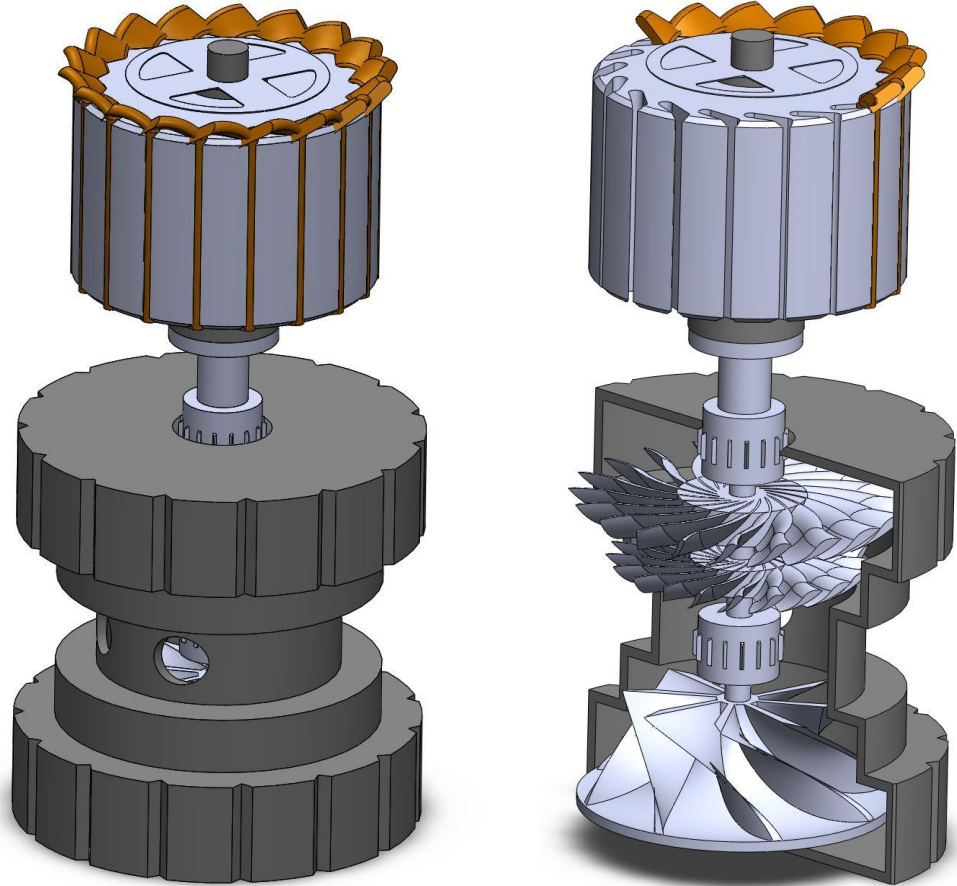


Generator Plate



Wire Bundle

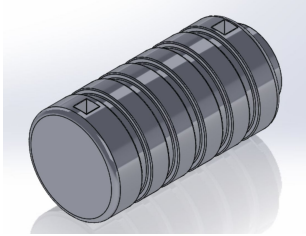
Sub Assembly



Exploded View



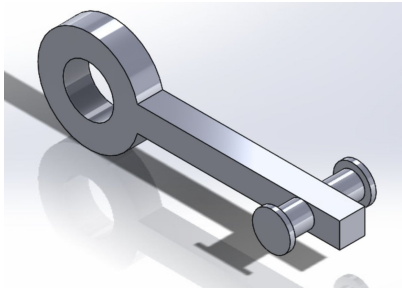
Parts - External Components



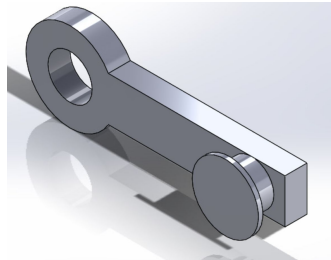
Water/Fertilizer Tank



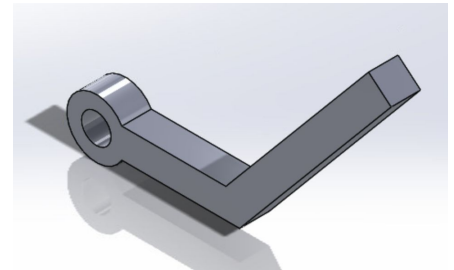
Sensor



Middle Robot Arm Part

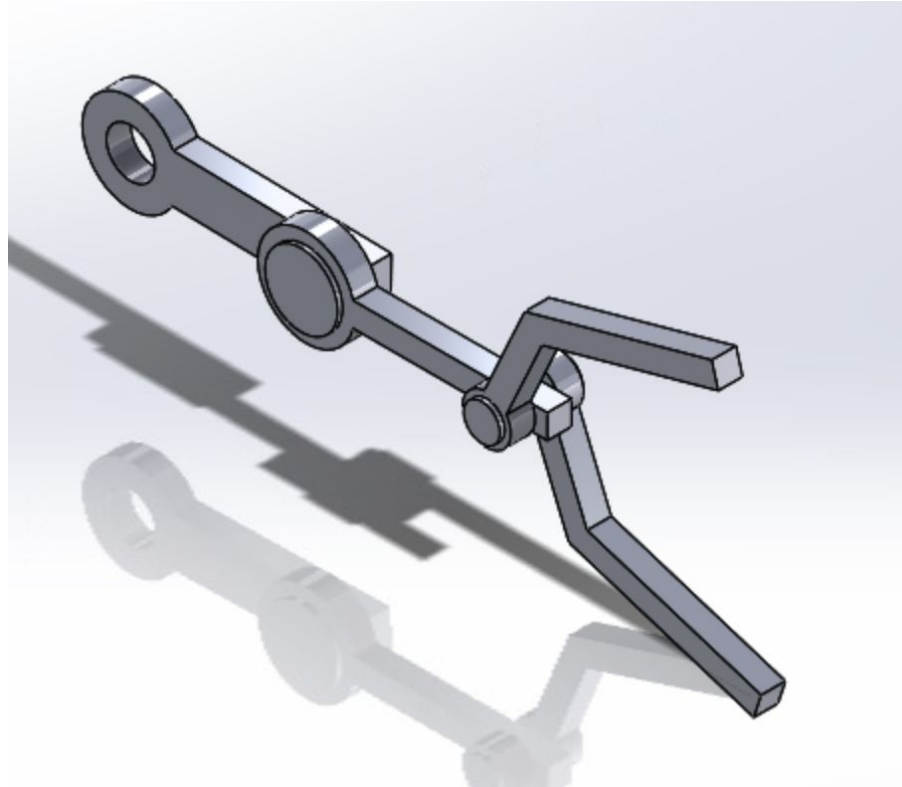


End of Robot Arm

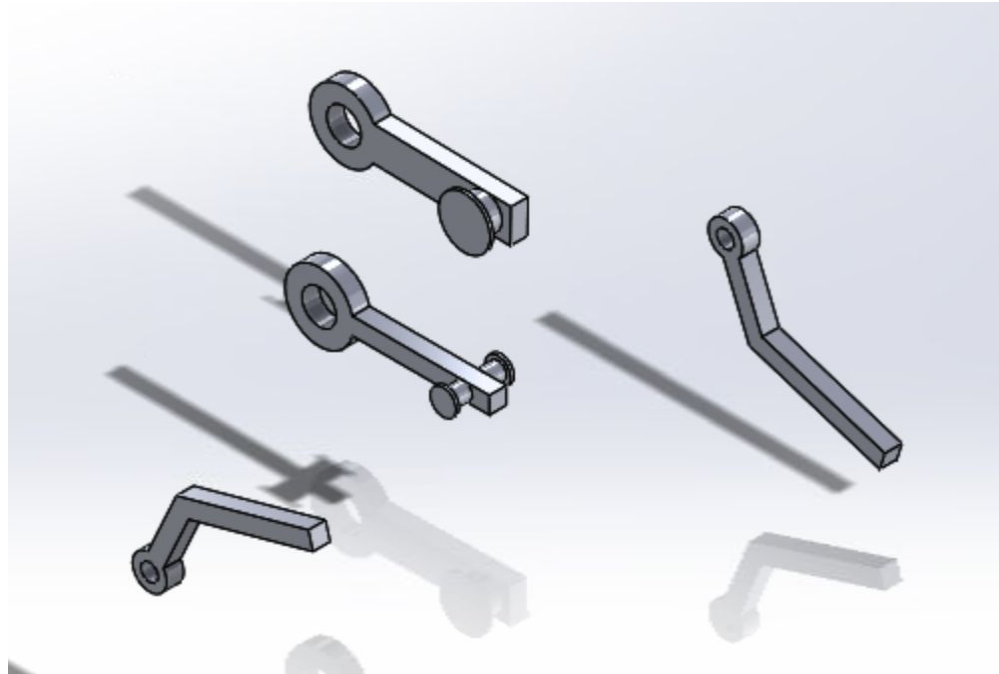


Robot Arm Claw

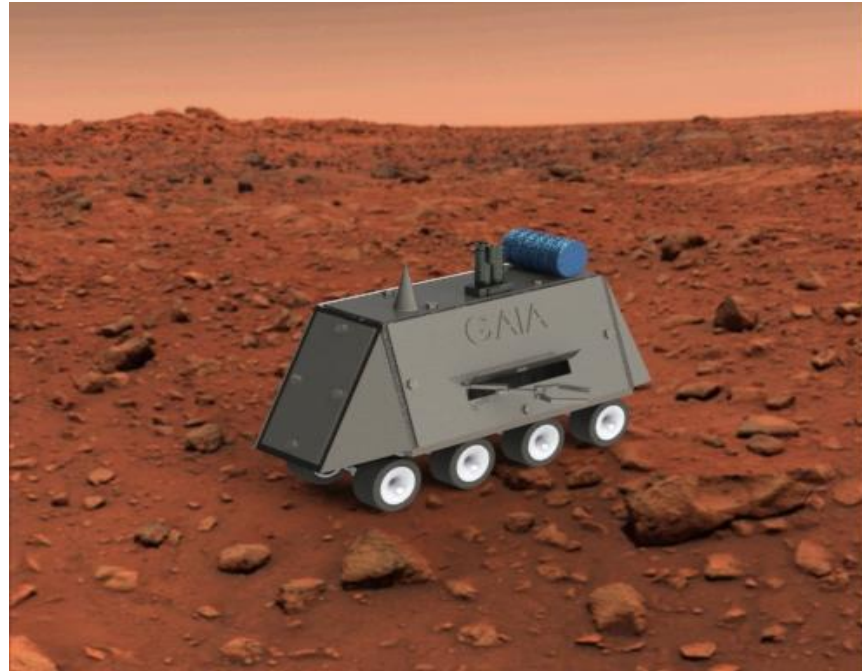
Sub Assembly



Exploded View



Rendered Views





Challenges



- Consistent dimensioning across the assembly
- Time zone differences
- Inability to work face to face

Conclusion



- What did we each take away from the project?
- What was the best part of the course?
- What lessons did we all learn?



Any Questions?